

Type 12/13 Panel Enclosures

JIC Enclosures Type 12 Lift-Off Cover Data Sheet



Type 12/13 Panel Encl.

Application

- Houses electrical controls and instruments
- Protects against circulating dust, falling dirt and dripping non-corrosive liquids

Standards

- UL 508 listed, Type 12 and Type 13
- CSA C22.2 No.94 certified, Type 12 and Type 13
- Conforms to NEMA standard for Type 12 and Type 13
- Conforms to JIC standard EGP-1-1967

Finish

- Wash and phosphate undercoat
- ANSI 61 gray polyester powder finish
- Hardware and clamps are zinc plated

Accessories

- Panels
- JIC terminal strap kit
- JIC terminal strip kit
- Terminal blocks
- Touch-up paint
- #8-32 self tapping screw (10168)
- See Accessories section

Construction

- Enclosure and cover are fabricated from (16) gauge steel
- All continuous welded seams are finished smooth
- Cover is secured to the body with semi-hinge(s) on one side and easy-to-operate screw clamps mounted to the opposite side
- Chain holds cover to body when screw clamps are released
- Cover has a seamless poured in-place gasket
- Ground stud provided on cover
- #10-32 weldnuts are provided for mounting optional panel on 6" x 4" and larger enclosures
- External mounting feet are provided for secure wall mounting

Discount Schedule: C2

Subclass: DE0

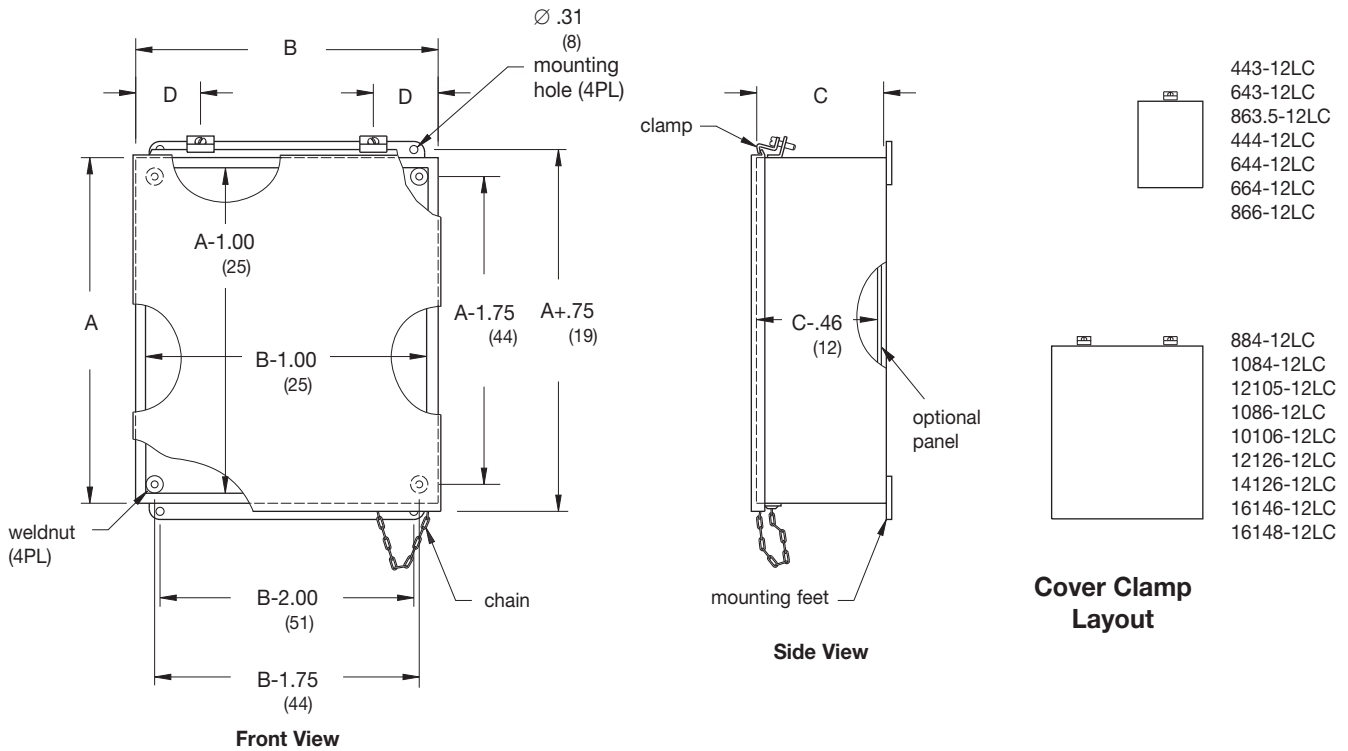
Notes: Cooper B-Line can provide special sizes, finishes and other modifications. Consult the factory for your special requirements.

Type 12 / 13 Panel Enclosures

JIC Enclosures Type 12 Lift-Off Cover Illustration Sheet and Catalog Number

Enclosure Catalog Number	Enclosure Size Height x Width x Depth A x B x C		D		Panel Catalog Number		Panel Size Height x Width	
	in.	mm	in.	mm	Solid	Perforated	in.	mm
443-12LC	4.00 x 4.00 x 3.00	102 x 102 x 76	2.00	51	--	--	--	--
643-12LC	6.00 x 4.00 x 3.00	152 x 102 x 76	2.00	51	AW64P	AW64PP	4.87 x 2.87	124 x 73
863.5-12LC	8.00 x 6.00 x 3.50	203 x 152 x 89	3.00	76	AW86P	AW86PP	6.87 x 4.87	174 x 124
444-12LC	4.00 x 4.00 x 4.00	102 x 102 x 102	2.00	51	--	--	--	--
644-12LC	6.00 x 4.00 x 4.00	152 x 102 x 102	2.00	51	AW64P	AW64PP	4.87 x 2.87	124 x 73
664-12LC	6.00 x 6.00 x 4.00	152 x 152 x 102	3.00	76	AW66P	AW66PP	4.87 x 4.87	124 x 124
884-12LC	8.00 x 8.00 x 4.00	203 x 203 x 102	2.00	51	AW88P	AW88PP	6.87 x 6.87	174 x 174
1084-12LC	10.00 x 8.00 x 4.00	254 x 203 x 102	2.00	51	AW108P	AW108PP	8.87 x 6.87	225 x 174
12105-12LC	12.00 x 10.00 x 5.00	305 x 254 x 127	2.00	51	AW1210P	AW1210PP	10.87 x 8.87	276 x 225
14126-12LC	14.00 x 12.00 x 6.00	356 x 305 x 152	3.00	76	AW1412P	AW1412PP	12.87 x 10.87	327 x 276
16146-12LC	16.00 x 14.00 x 6.00	406 x 356 x 152	3.00	76	AW1614P	AW1614PP	14.87 x 12.87	378 x 327

Type 12/13 Panel Encl.



Notes: Dimensions are in inches. Millimeters shown are for reference only. Data subject to change without notice.